



# ZET-Horn 70 AC

## General Features

The ZÖLLNER ZET-Horn was the first piston type whistle on the world market driven by an AC 3phase motor. An essential component is the piston inside the cylinder driven by an AC 3phase motor via connecting rod, crankshaft and gear wheels. The piston oscillates at a certain frequency which makes the air inside the sound projector vibrate in resonance to produce a clean sound audible over a wide range.

## Essentials

- » full compliance with the Colregs 1972, Annex III
- » type approved by all wellknown international authorities and classification societies
- » application:
  - » vessels of class I, 200 m or more in length
  - » land alarm, i.e. bunker stations, oil refineries, airports, power plants, factories
- » system voltage: AC 3phase/control box AC 1phase
- » entirely made of best non-corrosion, seawater resistant materials: gearwheels made of wear-resistant upgraded steel

## Advantages

- » decades of experience
- » best material and workmanship - made in Germany
- » entirely made of best non-corrosion, seawater resistant materials
- » simple but matured design: easy exchange of all parts with onboard tools, steady lubrication with standard grease (no oil!)
- » cylinder suspended vertically to allow optimum discharge of spray, flood, condensation water or melted snow
- » motor heating to avoid condensed water included as a standard - no additional cable required!
- » easy installation:
  - » only one three-core cable required for connection to board mains!
  - » relatively low weight
- » not affected by voltage and frequency fluctuations of board mains

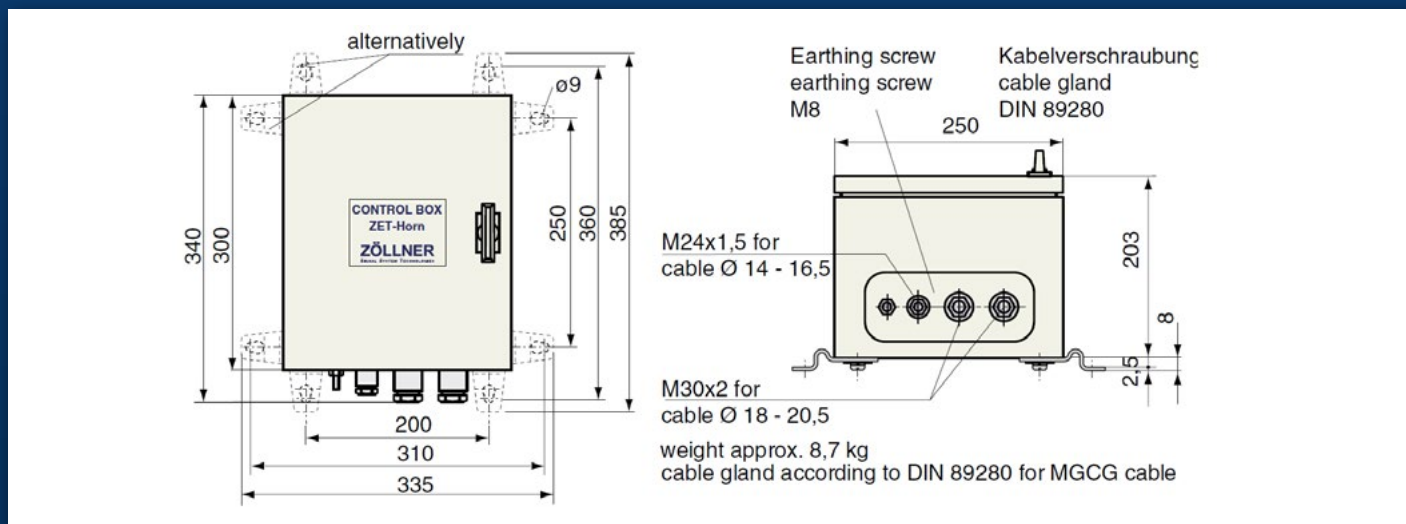
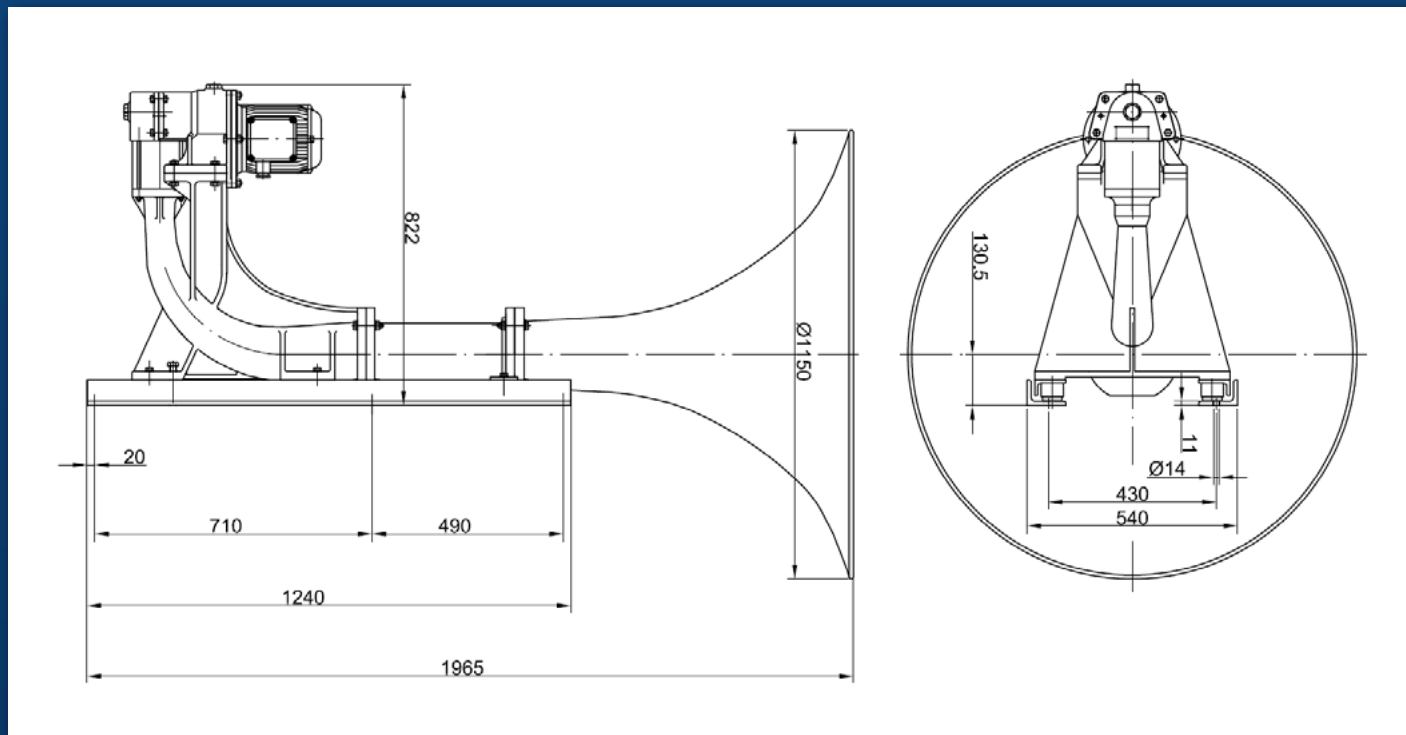
## Sound Characteristics

- » broad frequency spectrum with many higher harmonics
- » signals with strong overtones for best penetration of background noise level: Even when a background noise covers the actual basic frequency the residual tone forms a parent frequency in the human hearing. Two or three harmonics are sufficient for the hearing to perceive the basic frequency.
- » sound frequency of 70 Hz very advantageously ranks in the lower admissible range (70-200 Hz)
- » sound pressure level 143 dB in 1/3rd octave band at 1 m distance



## Positioning and installation

Positioning as high as practicable on the vessel to reduce interception of the emitted sound by obstructions and to avoid hearing damage risk to the personnel. The sound pressure level of a vessel's own signal at listening posts must not exceed 110 dB(A).



Standard control box (supply voltage 380 / 440 V - control voltage 115 / 220 V) - other voltages on request

| type | ship length [m] | cable gland [mm] max. | fundamental frequency [Hz] | sound intensity in 1/3rd-octave band level at 1 m distance |                    | motor output [kW] | motor heating up to [W] | type approval BSH no. | protection type | weight [kg] |
|------|-----------------|-----------------------|----------------------------|--|--------------------|-------------------|-------------------------|-----------------------|-----------------|-------------|
|      |                 |                       |                            | dB(A)  | min. IMO 1/3rd oct |                   |                         |                       |                 |             |
| 70AC | >200            | ø15/<br>ø18,8         | 70                         | 146  | 143 dB             | 5,5               | 250                     | 4615/6020392/09       | IP 56           | 130         |